



*Swift & Staley Inc.*  
**FIXED PRICE**  
**C-764 and C-100 Sidewalk Installation**

**Request for Quote (RFQ): RFQ 2022 0014**

**September 8, 2022**

Request for Proposal released

**September 13, 2022, 1:00 PM**

Field walk-down of area. Offeror must contact Justin Schmuck, [justin.schmuck@pad.pppo.gov](mailto:justin.schmuck@pad.pppo.gov) 24 hours prior to request the walk-down location and must supply/include names for passes. Contact Justin Schmuck for any questions regarding this walk-down.

**September 13, 2022, 4:00 PM**

Notify Justin Schmuck, [justin.schmuck@pad.pppo.gov](mailto:justin.schmuck@pad.pppo.gov) and Jimmie Lynn Glanville, [jimmie.glanville@pad.pppo.gov](mailto:jimmie.glanville@pad.pppo.gov) of intent to quote.

**September 14, 2022, 1:00 PM**

Deadline for submittal of written questions to Justin Schmuck.

**September 15, 2022**

Response to written questions provided to all Offerors.

**September 19, 2022, 1:00 PM**

Quotes due to Justin Schmuck, [justin.schmuck@pad.pppo.gov](mailto:justin.schmuck@pad.pppo.gov) and Jimmie Lynn Glanville, [jimmie.glanville@pad.pppo.gov](mailto:jimmie.glanville@pad.pppo.gov).

- Include method of accomplishment in quote.
- Subcontract criteria: 50% cost, 50% technical.
- Use the cost template to break-out cost of work.
- Performance and Payment bonds required.

Note: Cell phone for Justin Schmuck is 270-816-6417 if there are any technical issues with receipt of emails or documents. However, send all questions via email.

**Mandatory requirements:**

Certificate of Insurance

Registration on System for Award Management (SAM)

E-Verify Certificate

**Enclosures:**

Scope of Work

Davis Bacon Wage Determination

Google Earth Views

ISSC-ESH-FO-051 Project Waste Generation

Cost Template

*Swift & Staley Inc.*  
**REQUEST FOR QUOTE**

**QUOTE REQUIREMENTS**

The quote should include all of the following:

1. Include Davis Bacon wage rates.
2. Complete the attached cost worksheet.
3. Provide duration to complete construction activities.

**SCOPE OF WORK**

Work shall, at a minimum, include the following:

Sidewalk demolition and installation in the C-764 Trailer Complex:

- Demolish existing pervious concrete sidewalks and handicapped parking area. Approximately 2500 square feet total as shown on the attached Google Earth image. Note that some sidewalks stay.
- Placement of new four foot wide concrete sidewalks, approximately 2500 square foot total. New sidewalks will closely match layout of existing sidewalks.
- Placement of new 20'x20' handicapped parking area and striping for van accessible handicapped parking.

Sidewalk installation in the C-100 area:

- Placement of new four foot wide concrete sidewalks, approximately 600 square foot total as shown on the Google Earth image, *Attachment A*.

Requirements for all areas:

1. Grade existing areas around sidewalks to allow for proper drainage.
2. Compact Dense Grade Aggregate (DGA) sub-grade and install reinforcing steel as required per the sidewalk installation detail.
3. Install concrete form-work and associated items to place new sidewalks.
4. Load waste into Deactivation & Remediation (D&R) Contractor supplied roll-off-bins.
  - Bins shall be filled only half-way to limit weight.
5. SUBCONTRACTOR will be responsible for installing absorbent, liners, and tarps on bins used for concrete and excavated materials. Absorbent, liners, and tarps will be provided by CONTRACTOR.

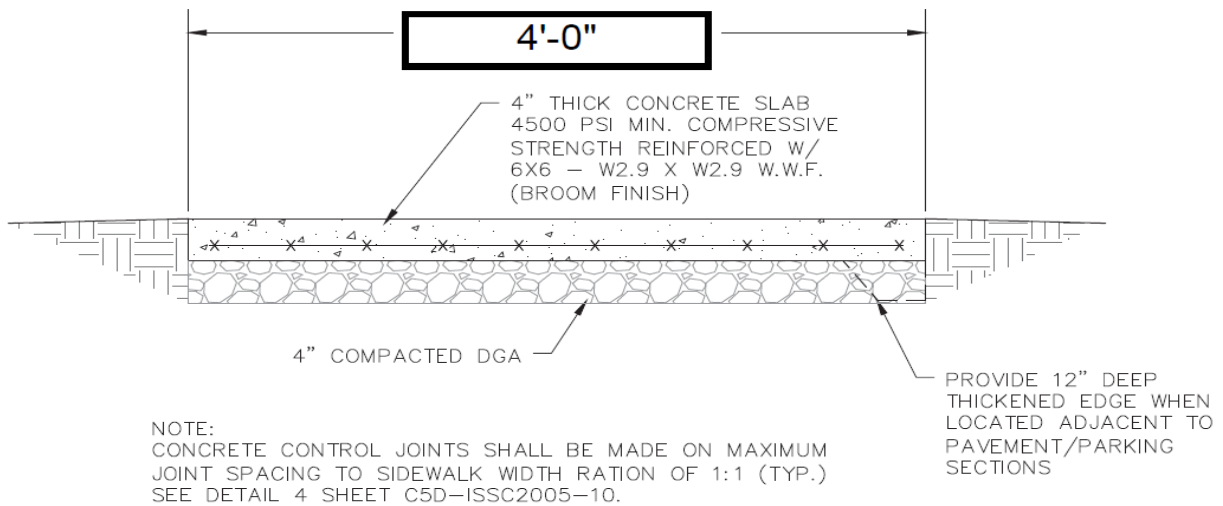
6. Subcontractor will manage all above mentioned items in accordance with the applicable ISSC-ESH-FO-051 Project Waste Generation Forecast.
7. Sidewalk layout on attached Google Earth drawing is for reference only. The Project Lead will coordinate with the SUBCONTRACTOR to field route as needed.

**ITEMS TO BE COMPLETED BY CONTRACTOR**

1. Transportation and disposition of excavated waste.
2. Roll off bin supplies (Liners, Tarps, and absorbent).

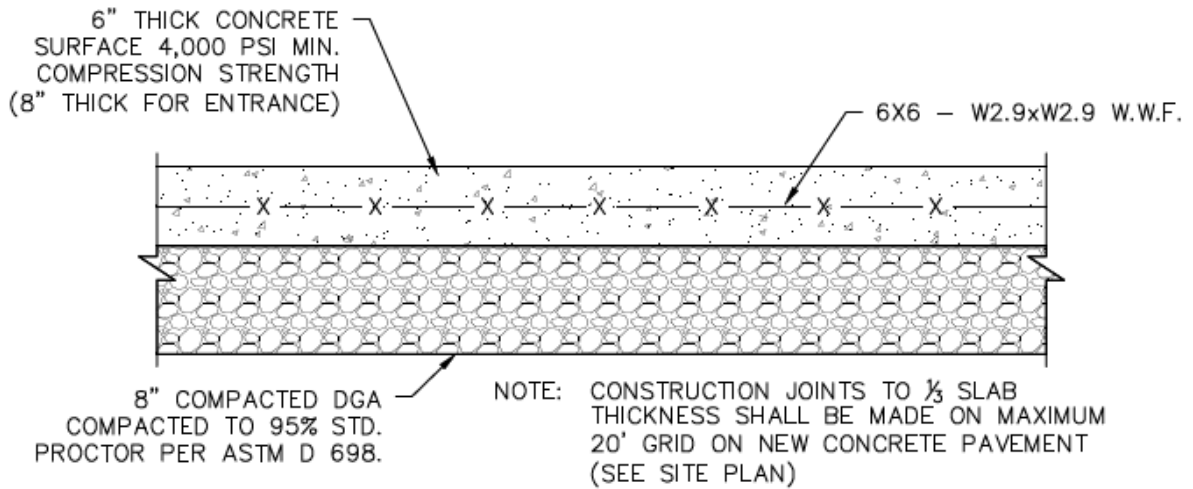
**NOTE:**

Equipment may be subject to Radiological release process (3-4 Business Days)



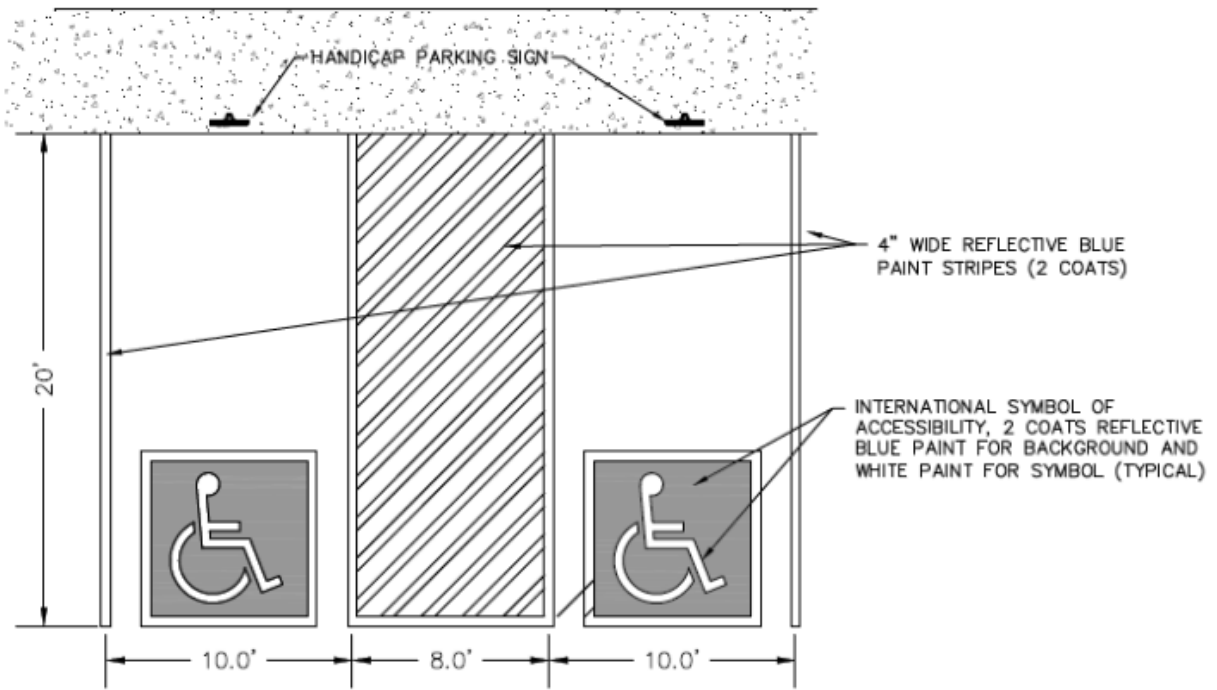
**FLUSH CONCRETE SIDEWALK**

---



**STANDARD DUTY CONCRETE PAVEMENT**

SCALE: N.T.S.



**ACCESSIBLE PARKING STRIPING**

SCALE: N.T.S.